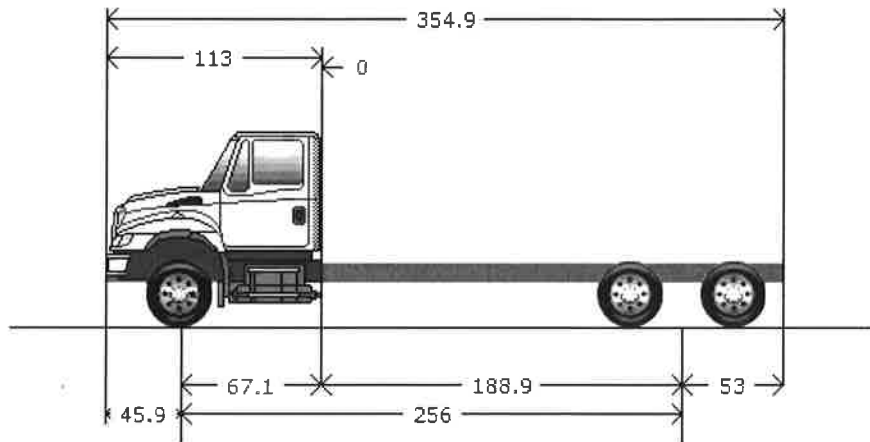


Prepared For:
 SUPER PRODUCTS / Camel MAXXX 1200
 AUTOMATIC
 Sales Team
 PO Box 510110
 New Berlin, WI 53151-3593
 (262)784 - 7100
 Reference ID: 1200maxx AUTO

Presented By:
 LAKESIDE INTL, LLC
 Todd Soczka
 11000 W SILVER SPRING RD
 MILWAUKEE WI 53225 -
 (414)353-4800

Thank you for the opportunity to provide you with the following quotation on a new International truck. I am sure the following detailed specification will meet your operational requirements, and I look forward to serving your business needs.



Model Profile
2020 HV613 SBA (HV613)

AXLE CONFIG:	6X4
MISSION:	Requested GVWR: 60000. Calc. GVWR: 60000 Calc. Geared Speed: 86.6 MPH
DIMENSION:	Wheelbase: 256.00, CA: 188.90, Axle to Frame: 53.00
ENGINE, DIESEL:	{International A26} EPA 2017, 450HP @ 1700 RPM, 1700 lb-ft Torque @ 1000 RPM, 2100 RPM Governed Speed, 450 Peak HP (Max)
TRANSMISSION, AUTOMATIC:	{Allison 4000 RDS} 5th Generation Controls, Close Ratio, 6-Speed with Double Overdrive, with PTO Provision, Less Retarder, Includes Oil Level Sensor, On/Off Highway
CLUTCH:	Omit Item (Clutch & Control)
AXLE, FRONT NON-DRIVING:	{Meritor MFS-20-133A} Wide Track, I-Beam Type, 20,000-lb Capacity
AXLE, REAR, TANDEM:	{Meritor MT-40-14X-4DFR} Single Reduction, 40,000-lb Capacity, w/.433"(11mm) Wall Housing Thickness, R Wheel Ends Gear Ratio: 4.63
CAB:	Conventional
TIRE, FRONT:	(2) 425/65R22.5 Load Range L HTC1 (CONTINENTAL), 465 rev/mile, 68 MPH, All-Position
TIRE, REAR:	(8) 11R22.5 Load Range H HDR2 (CONTINENTAL), 491 rev/mile, 75 MPH, Drive
SUSPENSION, REAR, TANDEM:	{Hendrickson RT-403} Walking Beam Type 54" Axle Spacing; 40,000-lb Capacity with Rubber Center Bushings
FRAME REINFORCEMENT:	Outer "C" Channel, Heat Treated Alloy Steel (120,000 PSI Yield); 10.813" x 3.892" x 0.312"; (274.6mm x 98.9mm x 8.0mm); 480.0" (12192mm) Maximum OAL
PAINT:	Cab schematic 100WN Location 1: 9219, Winter White (Std) Chassis schematic N/A

<u>Code</u>	<u>Description</u>	<u>F/R Wt</u> (lbs)	<u>Tot Wt</u> (lbs)
HV61300	Base Chassis, Model HV613 SBA with 256.00 Wheelbase, 188.90 CA, and 53.00 Axle to Frame.	8297/4292	12589
1AND	AXLE CONFIGURATION {Navistar} 6x4	0/0	0
	<u>Includes</u> : DRIVESHAFT 1810 Series Transmission to Rear Axle : INNER-AXLE SHAFT 1710 Series Forward Rear Axle to Rear Rear Axle		
	<u>Notes</u> : Pricing may change if axle configuration is changed.		
1CBU	FRAME RAILS Heat Treated Alloy Steel (120,000 PSI Yield); 10.125" x 3.580" x 0.312" (257.2mm x 90.9mm x 8.0mm); 480.0" (12192) Maximum OAL	163/226	389
1GBP	FRAME REINFORCEMENT Outer "C" Channel, Heat Treated Alloy Steel (120,000 PSI Yield); 10.813" x 3.892" x 0.312"; (274.6mm x 98.9mm x 8.0mm); 480.0" (12192mm) Maximum OAL	522/582	1104
1LLK	BUMPER, FRONT Omit Item	-88/12	-76
1LXJ	SPECIAL FRAME PIERCING for Super Products	0/0	0
1WDS	FRAME EXTENSION, FRONT Integral; 20" In Front of Grille	131/-26	105
1WHR	WHEELBASE RANGE 250" (635cm) Through and Including 311" (790cm)	0/0	0
2ARY	AXLE, FRONT NON-DRIVING {Meritor MFS-20-133A} Wide Track, I-Beam Type, 20,000-lb Capacity	186/0	186
3AGA	SUSPENSION, FRONT, SPRING Parabolic, Taper Leaf; 20,000-lb Capacity; with Shock Absorbers	57/0	57
4091	BRAKE SYSTEM, AIR Dual System for Straight Truck Applications	0/0	0
4193	BRAKES, FRONT, AIR CAM 16.5" x 6", Includes 24 SqIn Long Stroke Brake Chambers	26/0	26
4732	DRAIN VALVE {Berg} with Pull Chain, for Air Tank	0/0	0
4AZJ	AIR BRAKE ABS {Bendix AntiLock Brake System} Full Vehicle Wheel Control System (4-Channel) with Automatic Traction Control	0/0	0
4EBD	AIR DRYER {Wabco System Saver 1200} with Heater	13/5	18
4EXU	BRAKE CHAMBERS, REAR AXLE {Bendix EverSure} 30/30 Spring Brake	0/78	78
4EXV	BRAKE CHAMBERS, FRONT AXLE {Bendix} 24 SqIn	18/0	18
4JDC	AIR DRYER LOCATION Mounted Outside Left Rail, Back of Cab	0/0	0
4LAA	SLACK ADJUSTERS, FRONT {Haldex} Automatic	0/0	0
4LGA	SLACK ADJUSTERS, REAR {Haldex} Automatic	0/0	0
4NDB	BRAKES, REAR, AIR CAM S-Cam; 16.5" x 7.0"; Includes 30/30 Sq. In. Long Stroke Brake Chamber and Spring Actuated Parking Brake	0/52	52
4SPM	AIR COMPRESSOR {Bendix BA-921 Head Unload} 15.9 CFM Capacity, Single Cylinder	0/0	0
4VKK	AIR TANK LOCATION (2) Mounted Under Battery Box, Outside Right Rail, Back of Cab, Perpendicular to Rail	0/0	0
4WBX	DUST SHIELDS, FRONT BRAKE for Air Brakes	5/0	5

<u>Code</u>	<u>Description</u>	<u>F/R Wt</u> (lbs)	<u>Tot Wt</u> (lbs)
4WDM	DUST SHIELDS, REAR BRAKE for Air Brakes	0/12	12
5708	STEERING COLUMN Tilting	0/0	0
5CAW	STEERING WHEEL 4-Spoke; 18" Dia., Black	0/0	0
5PTB	STEERING GEAR (2) {Sheppard M100/M80} Dual Power	119/0	119
7BEU	AFTERTREATMENT COVER Aluminum	0/0	0
7BKS	EXHAUST SYSTEM Single Horizontal Aftertreatment Device, Frame Mounted Right Side Under Cab; for Single Vertical Tail Pipe, Frame Mounted Right Side Back of Cab	61/16	77
7WBA	TAIL PIPE (1) Turnback Type, Bright, for Single Exhaust	0/0	0
7WBS	MUFFLER/TAIL PIPE GUARD (1) Bright Stainless Steel	0/0	0
7WCR	EXHAUST HEIGHT 10' 11"	2/0	2
7WZY	SWITCH, FOR EXHAUST 2 Position, Lighted & Latching, On/Off Type, Mounted in IP, Inhibits Diesel Particulate Filter Regeneration as Long as Switch is in On Position	0/0	0
8000	ELECTRICAL SYSTEM 12-Volt, Standard Equipment	0/0	0
8518	CIGAR LIGHTER Includes Ash Cup	0/0	0
8718	POWER SOURCE Cigar Type Receptacle without Plug and Cord	1/0	1
8875	BATTERY TERMINALS Sealed	2/0	2
8GXE	ALTERNATOR {Leece-Neville AVI160P2012} Brush Type; 12 Volt 190 Amp. Capacity, Pad Mount, with Remote Sense	-1/0	-1
8HAE	BODY BUILDER WIRING Rear of Frame; Includes Sealed Connectors for Tail/ Amber Turn/Marker/ Backup/Accessory Power/Ground and Sealed Connector for Stop/Turn	0/3	3
8MSG	BATTERY SYSTEM {Fleetrite} Maintenance-Free, (3) 12-Volt 1980CCA Total	0/0	0
8NAA	TAIL LIGHT WIRING MODIFIED Includes: Wiring for Standard Lt & Rt Tail Lights; Separate 8.0' of Extra Cable Wiring for Lt & Rt Body Mounted Tail Lights	0/0	0
8RLZ	BATTERY DISCONNECT SWITCH {Cole-Hersee 75920-06} 300 Amp; Battery Box Mounted, Disconnects Cab Power, Does Not Disconnect Charging Circuits, Locks with Padlock	2/0	2
8RMP	RADIO AM/FM/WB/Clock/3.5MM Auxiliary Input	2/0	2
8RMY	SPEAKERS (2) 5.25" Dual Cone Mounted in Both B-Pillars	4/0	4
8VAY	HORN, ELECTRIC Disc Style	0/0	0
8VUJ	BATTERY BOX Steel with Plastic Cover, 18" Wide, 2, 3, or 4 Battery Capacity, Mounted Right Side Back of Cab	0/0	0
8WCK	POWER SOURCE, TERMINAL TYPE 2-Post	1/0	1
8WMA	SWITCH, TOGGLE, FOR WORK LIGHT Lighted; on Instrument Panel and Wiring Effects for Customer Furnished Back of Cab Light	2/1	3
8WPH	CLEARANCE/MARKER LIGHTS (5) {Truck Lite} Amber LED Lights, Flush Mounted on Cab or Sunshade	0/0	0

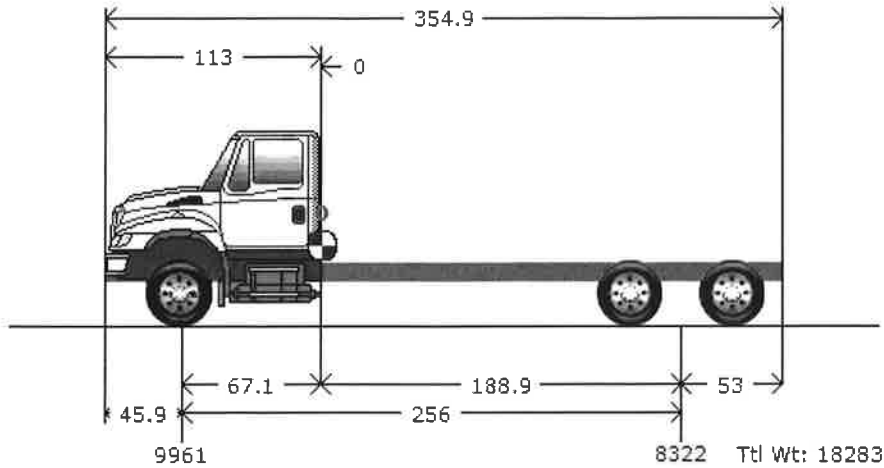
<u>Code</u>	<u>Description</u>	<u>F/R Wt</u> (lbs)	<u>Tot Wt</u> (lbs)
8WPZ	TEST EXTERIOR LIGHTS Pre-Trip Inspection will Cycle all Exterior Lamps Except Back-up Lights	0/0	0
8WXD	ALARM, PARKING BRAKE Electric Horn Sounds in Repetitive Manner When Vehicle Park Brake is "NOT" Set, with Ignition "OFF" and any Door Opened	0/0	0
8WXG	STARTING MOTOR {Mitsubishi Electric Automotive America 105P} 12-Volt, with Soft-Start	0/0	0
8XAH	CIRCUIT BREAKERS Manual-Reset (Main Panel) SAE Type III with Trip Indicators, Replaces All Fuses	0/0	0
8XGT	TURN SIGNALS, FRONT Includes LED Side Turn Lights Mounted on Fender	0/0	0
8XHN	HORN, AIR Black, Single Trumpet, with Lanyard Pull Cord	0/0	0
9585	FENDER EXTENSIONS Rubber	0/0	0
9AAB	LOGOS EXTERIOR Model Badges	0/0	0
9AAE	LOGOS EXTERIOR, ENGINE Badges	0/0	0
9HBM	GRILLE Stationary, Chrome	0/0	0
9HBN	INSULATION, SPLASH PANELS for Sound Abatement	3/0	3
9WAC	BUG SCREEN Mounted Behind Grille	5/0	5
9WBK	FRONT END Tilting, Fiberglass, with Three Piece Construction Includes Long Hood	0/0	0
10060	PAINT SCHEMATIC, PT-1 Single Color, Design 100 <u>Includes</u> : PAINT SCHEMATIC ID LETTERS "WN"	0/0	0
10761	PAINT TYPE Base Coat/Clear Coat, 1-2 Tone	0/0	0
10WCY	SAFETY TRIANGLES	8/4	12
10WWP	MUD FLAPS, FRONT WHEELS (2) Rubber, Behind Front Wheels, Mounted on Fender Extension, for Tire Size 425/445	0/0	0
11001	CLUTCH Omit Item (Clutch & Control)	-141/-15	-156
12703	ANTI-FREEZE Red, Extended Life Coolant; To -40 Degrees F/ -40 Degrees C, Freeze Protection	0/0	0
12BEC	ENGINE, DIESEL {International A26} EPA 2017, 450HP @ 1700 RPM, 1700 lb-ft Torque @ 1000 RPM, 2100 RPM Governed Speed, 450 Peak HP (Max)	0/0	0
12THT	FAN DRIVE {Horton Drivemaster} Direct Drive Type, Two Speed with Residual Torque Device for Disengaged Fan Speed	0/0	0
12VBB	AIR CLEANER Dual Element	4/0	4
12VGA	ENGINE CONTROL, REMOTE MOUNTED for PTO with N13/A26 Engines	0/0	0
12VGK	FEDERAL EMISSIONS {International A26} EPA, OBD and GHG Certified for Calendar Year 2018	0/0	0
12WEG	COLD STARTING EQUIPMENT Automatic; with Engine ECM Control	0/0	0
12WTA	FAN DRIVE SPECIAL EFFECTS Fan Cooling Ring with Fan Shroud Effects, Engine Mounted	0/0	0

<u>Code</u>	<u>Description</u>	<u>F/R Wt</u> (lbs)	<u>Tot Wt</u> (lbs)
12WZJ	EMISSION COMPLIANCE Low NOx Idle Engine, Complies with California Clean Air Regulations; Includes "Certified Clean Idle" Decal located on Driver Door	0/0	0
12XBD	RADIATOR Aluminum; Welded, Front to Back CrossFlow System, 1292 SqIn, 1008 SqIn CAC	0/0	0
12XBT	BLOCK HEATER, ENGINE {Phillips} 120V/1150W, Block and 120V/300W Oil Pan Heater with "Y" Cord from Socket to Operate both Heaters, Socket mounted in Standard Location	4/0	4
13ATR	TRANSMISSION, AUTOMATIC {Allison 4000 RDS} 5th Generation Controls, Close Ratio, 6-Speed with Double Overdrive, with PTO Provision, Less Retarder, Includes Oil Level Sensor, On/Off Highway	409/117	526
13WAW	OIL COOLER, AUTO TRANSMISSION {Modine} Water to Oil Type	25/0	25
13WET	TRANSMISSION SHIFT CONTROL for Column Mounted Stalk Shifter	0/0	0
13WLM	TRANSMISSION OIL Synthetic; 63 thru 76 Pints	0/0	0
13WUH	ALLISON SPARE INPUT/OUTPUT for Rugged Duty Series (RDS); Airport Refueler, Sewer Evac	0/0	0
13WYU	SHIFT CONTROL PARAMETERS Allison 3000 or 4000 Series Transmissions, 5th Generation Controls, Performance Programming	0/0	0
13XAT	PTO LOCATION Dual, Left Side and Top of Transmission	0/0	0
14GVY	AXLE, REAR, TANDEM {Meritor MT-40-14X-4DFR} Single Reduction, 40,000-lb Capacity, w/.433"(11mm) Wall Housing Thickness, R Wheel Ends . Gear Ratio: 4.63	0/1889	1889
14UHD	SUSPENSION, REAR, TANDEM {Hendrickson RT-403} Walking Beam Type 54" Axle Spacing; 40,000-lb Capacity with Rubber Center Bushings	0/927	927
14WAL	SUSPENSION/REAR-AXLE IDENTITY for Meritor Tandem Rear Axles with Bar-Pin Beam Attachment Type Suspensions	0/0	0
15DYP	DEF TANK 9.5 U.S. Gal. 35.9L Capacity, Frame Mounted Outside Left Rail, Under Cab	0/0	0
15LKX	FUEL/WATER SEPARATOR {Davco Fuel Pro 382} 12 VDC Electric Heater, Includes Pre-Heater, Includes Water-in-Fuel Sensor	4/-3	1
15LMY	LOCATION FUEL/WATER SEPARATOR Mounted Outside Left Rail, 20" Back of Cab	0/0	0
15SJZ	FUEL TANK Top Draw, Non-Polished Aluminum, 26" Dia, 80 US Gal (303L), Mounted Left Side, Under Cab	-25/24	-1
15WCS	FUEL COOLER Less Thermostat; Mounted in Front of Cooling Module	15/0	15
16030	CAB Conventional	0/0	0
16BAM	AIR CONDITIONER with Integral Heater & Defroster	0/0	0
16GDC	GAUGE CLUSTER Base Level; English with English Speedometer and Tachometer, for Air Brake Chassis, Includes Engine Coolant Temperature, Primary and Secondary Air Pressure, Fuel and DEF Gauges, Oil Pressure Gauge, Includes 3 Inch Monochromatic Text Display	0/0	0
16HHE	GAUGE, AIR CLEANER RESTRICTION {Filter-Minder} with Black Bezel Mounted in Instrument Panel	2/0	2

<u>Code</u>	<u>Description</u>	<u>F/R Wt</u> (lbs)	<u>Tot Wt</u> (lbs)
16HKT	IP CLUSTER DISPLAY On Board Diagnostics Display of Fault Codes in Gauge Cluster	0/0	0
16JNT	SEAT, DRIVER {National 2000} Air Suspension, High Back with Integral Headrest, Vinyl, Isolator, 1 Chamber Lumbar, with 2 Position Front Cushion Adjust, -3 to +14 Degree Angle Back Adjust	0/0	0
16SEE	GRAB HANDLE Chrome; Towel Bar Type with Anti-Slip Rubber Inserts; for Cab Entry Mounted Left Side Only at "B" Pillar	3/0	3
16SMN	SEAT, PASSENGER {National} Non Suspension, High Back, Fixed Back, Integral Headrest, Vinyl	17/6	23
16SNP	MIRRORS (2) Power Adjust, Thermostatically Controlled Heated Heads, Black Heads, Brackets and Arms, 7.55" x 14.1" Flat Glass, 7.48" x 6.77" Convex Glass Both Sides	0/0	0
16SNW	MIRROR, CONVEX, LOOK DOWN Right Side, Black, 6" x 10 1/4"	0/0	0
16VKB	CAB INTERIOR TRIM Classic, for Day Cab	0/0	0
	<u>Includes</u> : CONSOLE, OVERHEAD Molded Plastic with Dual Storage Pockets, Retainer Nets and CB Radio Pocket; Located Above Driver and Passenger : DOME LIGHT, CAB Door Activated and Push On-Off at Light Lens, Timed Theater Dimming, Integral to Overhead Console, Center Mounted : SUN VISOR (2) Padded Vinyl; 2 Moveable (Front-to-Side) Primary Visors, Driver Side with Toll Ticket Strap		
16VZB	SEAT BELT COMFORT CLIP	0/0	0
16WBY	ARM REST, RIGHT, DRIVER SEAT	3/0	3
16WLS	FRESH AIR FILTER Attached to Air Intake Cover on Cowl Tray in Front of Windshield Under Hood	0/0	0
16XCK	WINDOW, MANUAL (2) and Manual Door Locks, Left and Right Doors	0/0	0
16XJN	INSTRUMENT PANEL Flat Panel	0/0	0
16XRX	MODESTY PANEL Painted	0/0	0
16XZC	CAB REAR SUSPENSION Provides Rear PTO and PTO Driveshaft Clearance	0/0	0
16ZBT	ACCESS, CAB Steel, Driver & Passenger Sides, Two Steps Per Door, for use with Regular and Extended Cabs	0/0	0
27DJL	WHEELS, FRONT {Accuride 29374} DISC; 22.5x12.25 Rims, Polished Aluminum, 10-Stud, 285.75mm BC, Hub-Piloted, Flanged Nut, with Aluminum Hubs	-24/0	-24
28DUW	WHEELS, REAR {Accuride 51408} DUAL DISC; 22.5x8.25 Rims, Powder Coat Steel, 2-Hand Hole, 10-Stud, 285.75mm BC, Hub-Piloted, Flanged Nut, with Steel Hubs	0/0	0
29WLK	WHEEL BEARING, FRONT, LUBE {EmGard FE-75W-90} Synthetic Oil	0/0	0
7382135423	(8) TIRE, REAR 11R22.5 Load Range H HDR2 (CONTINENTAL), 491 rev/mile, 75 MPH, Drive	0/120	120
7752665412	(2) TIRE, FRONT 425/65R22.5 Load Range L HTC1 (CONTINENTAL), 465 rev/mile, 68 MPH, All-Position	124/0	124
	Cab schematic 100WN Location 1: 9219, Winter White (Std)		

<u>Code</u>	<u>Description</u>	<u>F/R Wt</u> (lbs)	<u>Tot Wt</u> (lbs)
	Chassis schematic N/A		
Services Section:			
40127	WARRANTY Standard for HV513, HV613 Models, Effective with Vehicles Built July 1, 2017 or Later, CTS-2030A	0/0	0
40KLZ	SERVICES, TOWING {Navistar} Service Call to 12-Month/Unlimited Mileage to the Nearest Navistar Dealer for Navistar Warrantable Failure as Contract Defined; Includes Engine Failure if Supplier Declines Tow Coverage & ESC Supplied thru Navistar; \$550 (USA) Maximum Benefit per Incident	0/0	0
Total Component Weight:		9961/8322	18283
	\$100 of fuel	0/0	0
	Backbone harness and programming	0/0	0
	Fire extinguisher	0/0	0
Total Goods Purchased:		0/0	0

The weight calculations included in this proposal are an estimate of future vehicle weight. The actual weight as manufactured may be different from the estimated weight. Navistar, Inc. shall not be liable for any consequences resulting from any differences between the estimated weight of a vehicle and the actual weight.



Graphics are provided as visual aids only and are not intended to represent the actual scale, shape, or color of the truck or its components. All weights are represented in lbs.

Truck			Body/Trailer			Chassis/Empty Weights		
Bumper to Axle	(BA)	45.9	Body Length	(BL)	N/A	Tractor Front Axle:		9,961
Wheelbase	(WB)	256.00				Tractor Rear Axle:		8,322
Axle to Frame	(AF)	53.00						
Axle to Back Cab	(ABC)	67.1						
Cab to Axle	(CA)	188.9						
Usable CA		188.9						
CA Reduction Adjustment		0.00						
Fuel-Diesel(Gals)		0						
DEF(Gals)		0						

Before the Cab			Cab			Payloads Chassis			Body		After the Body			
#	Weight	CG	#	Weight	CG	#	Weight	CG	#	Weight	CG	#	Weight	CG
						1	0	1						

Loads	
Payload Weight:	0
Driver:	0
Fuel-Diesel(Lbs):	0
DEF(Lbs):	0

Weight Distribution	
Total Front Axle:	9,961
Total Rear Axle:	8,322
Total Weight:	18,283

Weights and clearances in this proposal are estimates only. Navistar, Inc. is not liable for any consequences resulting from any differences between the estimated weights and clearances and the actual manufactured weights and clearances.

Weight Distribution

All weights are represented in lbs.

	<u>Truck</u>		
	Front	Rear	Total
<u>Chassis Weight</u>			
Chassis Weight:	9,961	8,322	18,283
Fuel:	0	0	0
DEF:	0	0	0
(Curb Weight):	9,961	8,322	18,283

Loads

Payloads:	0	0	0
Driver:	0	0	0
Axle Totals (Gross Weight):	9,961	8,322	18,283

Weight Ratings

	<u>Truck</u>	
	Front	Rear
Axle(axle capacity)	20,000	40,000
Tire(tire capacity)	22,800	26,440
Suspension(suspension capacity)	20,000	40,000
Spring:	0	
Fed Bridge Law (axle spread):	20,000	34,000 (54")

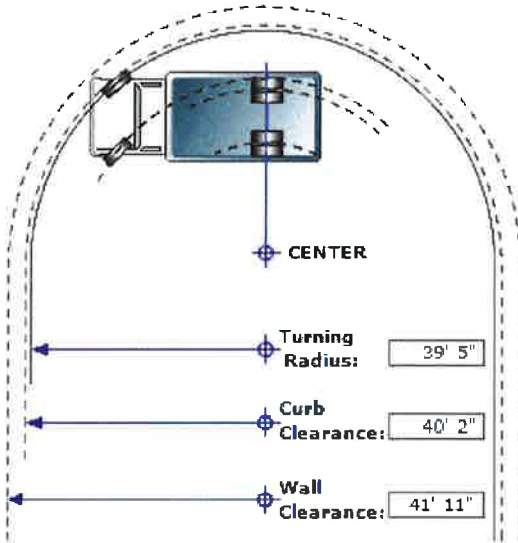
<u>Wheel Combination</u>	<u>Load</u>	<u>Limit</u>
1 - 3	18,283	53,000

Federal Total Vehicle Weight Limit: 80,000

Maximum Gross Vehicle Weight Rating (GVWR) 60,000 - Gross Vehicle Weight(GVW) 18,283 = 41,717 Reserves

Weight Summary

* Distributed weights are within capacity limits



Series: HV
 Model: HV613
 Description: HV613 SBA
 Model Year: 2020

Calculation Factors

Wheelbase: 256
 Front Axle: 0002ARY
 Description: AXLE, FRONT NON-DRIVING, {Meritor MFS-20-133A} Wide Track, I-Beam Type, 20,000-lb Capacity
 Front Wheel: 0027DJL
 Description: WHEELS, FRONT, {Accuride 29374} DISC; 22.5x12.25 Rims, Polished Aluminum, 10-Stud, 285.75mm BC, Hub-Piloted, Flanged Nut, with Aluminum Hubs
 Front Tire: 07752665412
 Description: TIRES, 425/65R22.5 Load Range L HTC1 (CONTINENTAL), 465 rev/mile, 68 MPH, All-Position
 Steering Gear: 0005PTB
 Description: STEERING GEAR, (2) {Sheppard M100/M80} Dual Power

Turning Radius Statistics

General Information

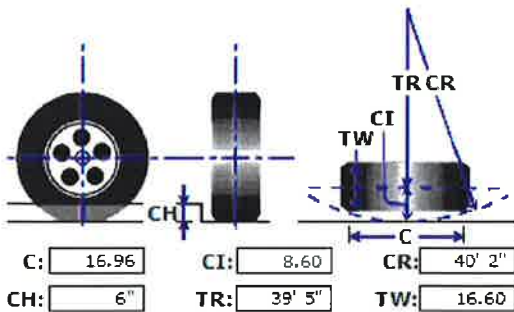
Inside Turn Angle: 39 Degrees
 Radial Overhang: 30

Axle Information

KingPin Inclination: 6.25 Degrees
 KingPin Center: 71

Turning Radius - Curb View

C - Curb Contact Length: 16.96
 CI - Curb Clearance Increment: 8.60
 CR - Curb Clearance Radius: 40' 2"
 CH - Curb Height: 6"
 TR - Turning Radius: 39' 5"
 TW - Tire Width: 16.60



* All Measurements are in inches, unless otherwise specified.

This information is based on engineering information available at this time. Actual figures may vary. Navistar, Inc. cannot accept liability for consequences due to this variance.