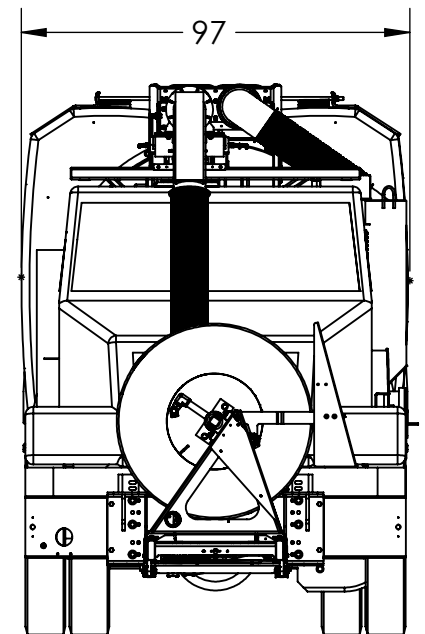
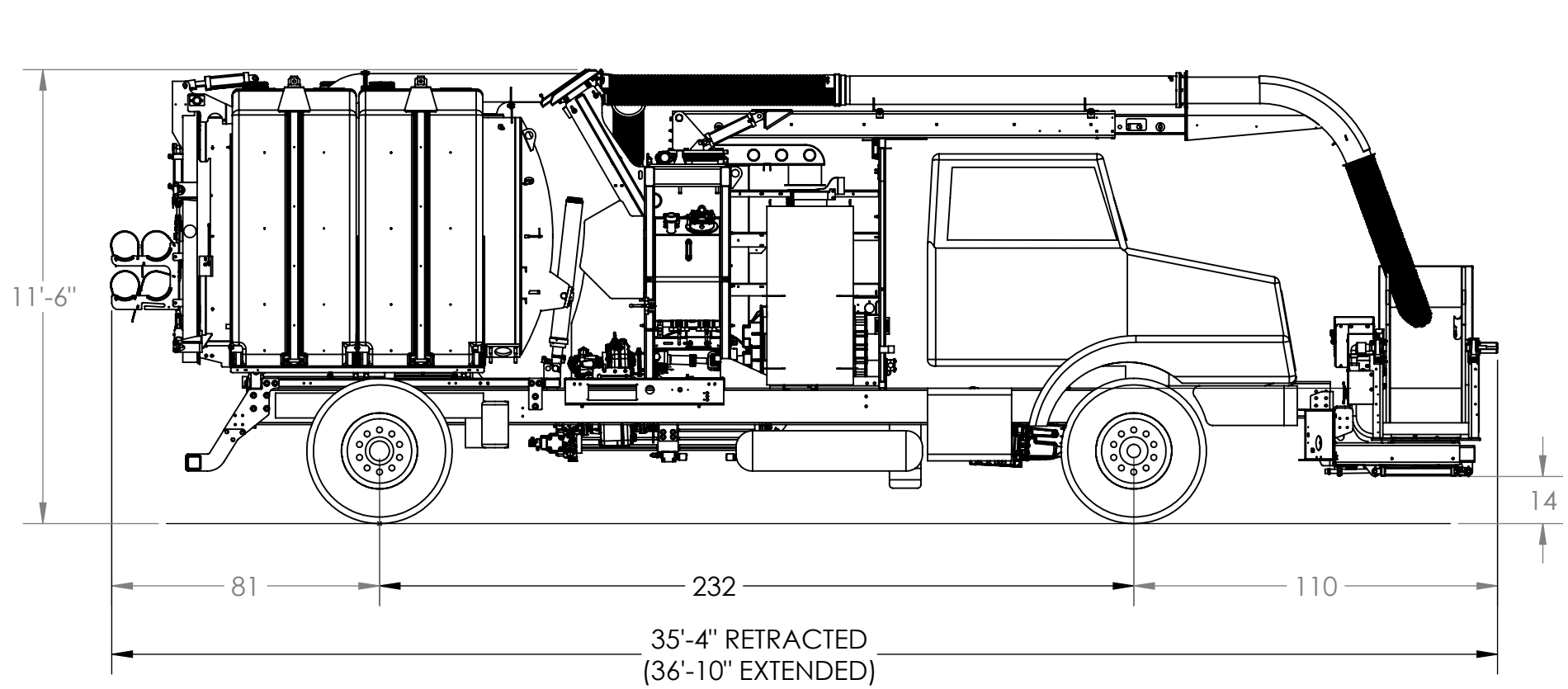


8 7 6 5 4 3 2 1

REVISIONS				
REV #	ECO #	DESCRIPTION	DATE	APPR
A				



	NAME	DATE
DRAWN BY	A.Messing	03/02/2018
ENG APPR.	D. King	04/26/2018
MFG APPR.		

SUPER PRODUCTS
TRUCK MOUNTED VACUUM EQUIPMENT

TITLE:
LAYOUT, 9YD CAMEL DIMENSIONS

MATERIAL:

PROPRIETARY AND CONFIDENTIAL
THE INFORMATION CONTAINED IN THIS DRAWING IS THE SOLE PROPERTY OF SUPER PRODUCTS. ANY REPRODUCTION IN PART OR AS A WHOLE WITHOUT THE WRITTEN PERMISSION OF SUPER PRODUCTS IS PROHIBITED.

UNLESS OTHERWISE SPECIFIED:
DIMENSIONS ARE IN INCHES
TOLERANCES ARE:
X.X ± 0.100
X.XX ± 0.060
X.XXX ± 0.030
ANGULAR: MACH ± 1° BEND ± 2°
INTERPRET GEOMETRIC TOLERANCING PER: ASME Y14.5

DWG. NO. 0033440	REV A
SIZE B SCALE: 1:48 WEIGHT: 0.00	SHEET 1 OF 3

ALL DIMENSIONS AND SPECS ARE FOR REFERENCE ONLY. ACTUAL VALUES MAY VARY BASED ON CHASSIS MANUFACTURER AND SELECTED OPTIONS.

8 7 6 5 4 3 2 1

8 7 6 5 4 3 2 1

D

D

C

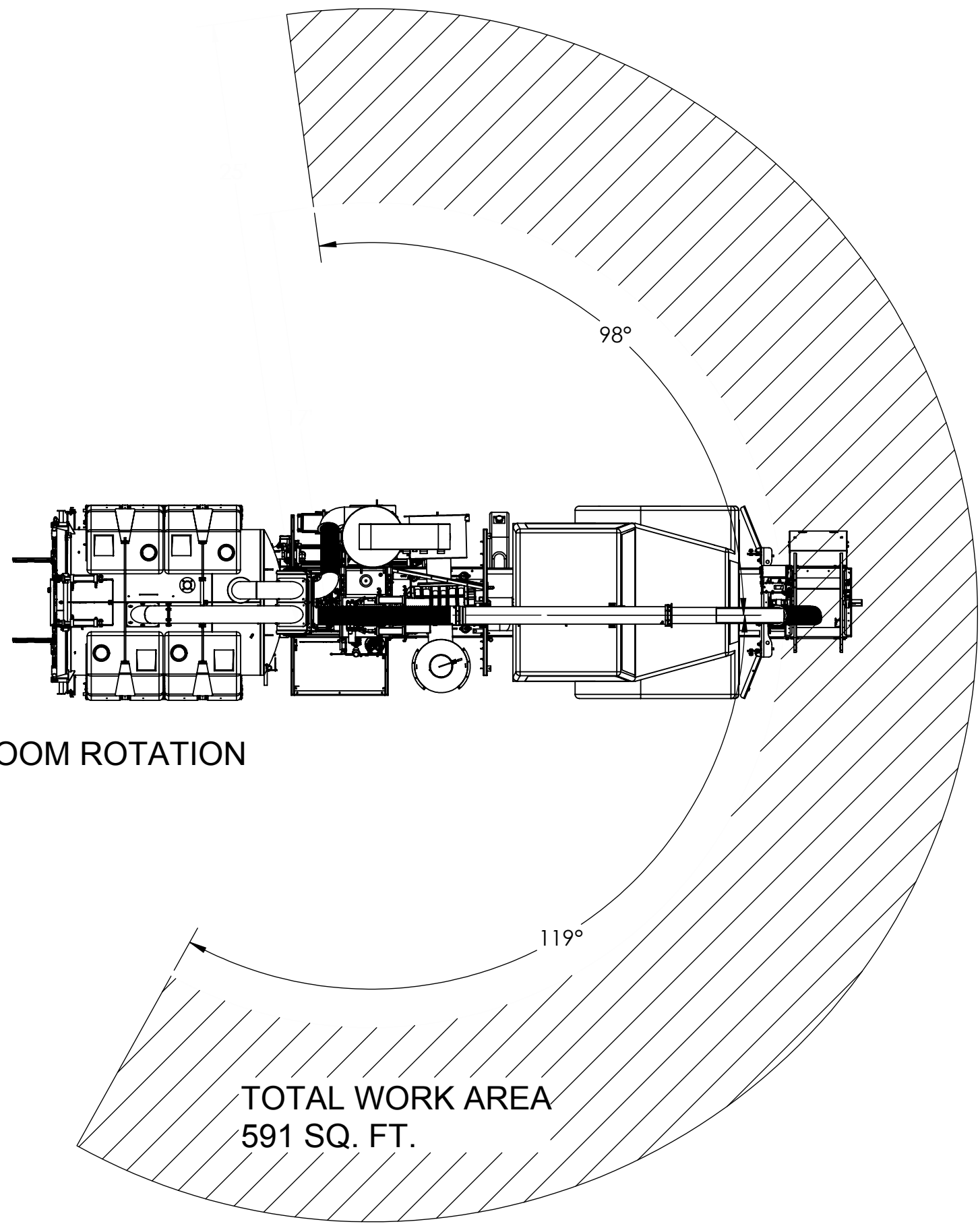
C

B

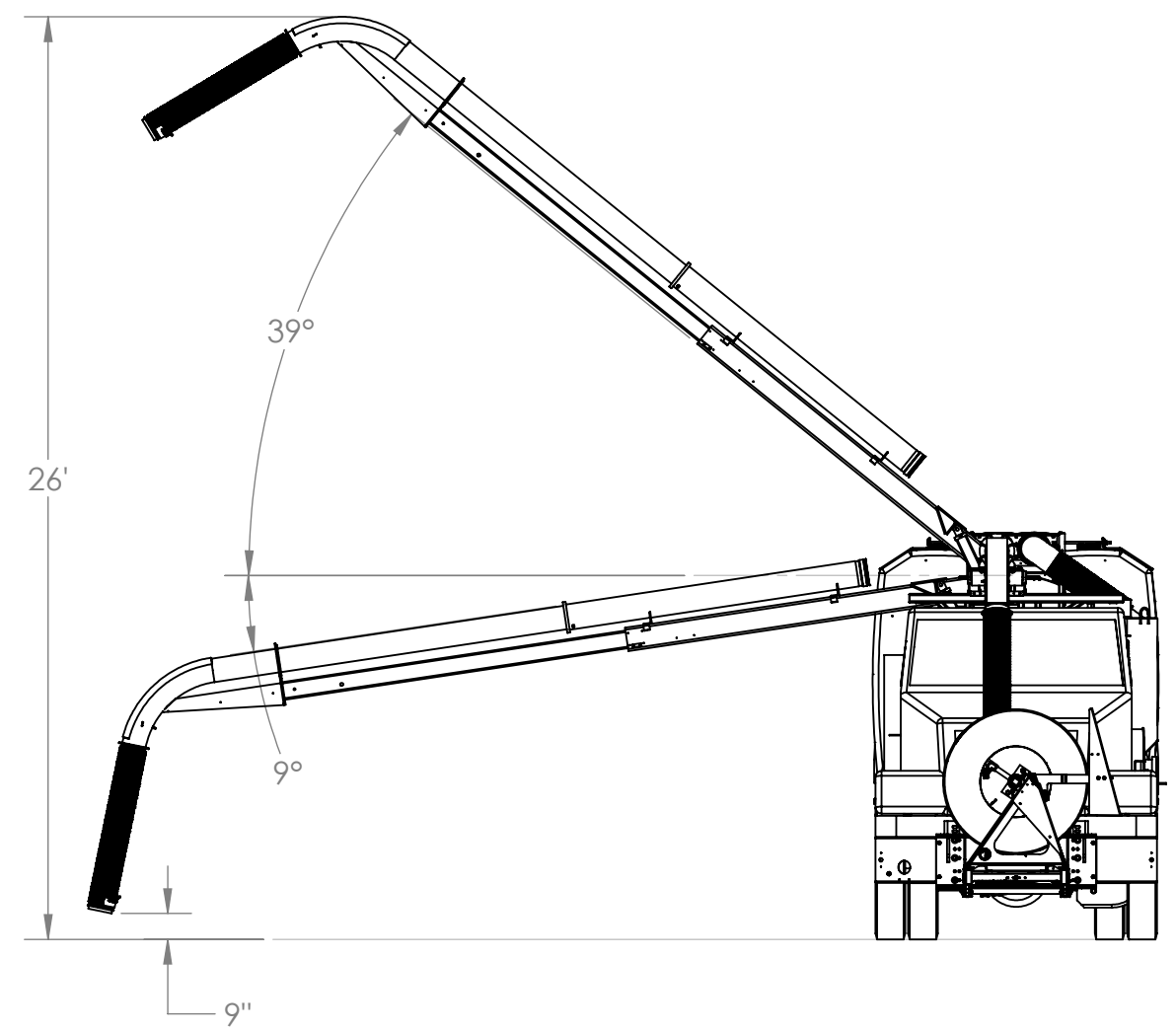
B

A

A



BOOM ROTATION



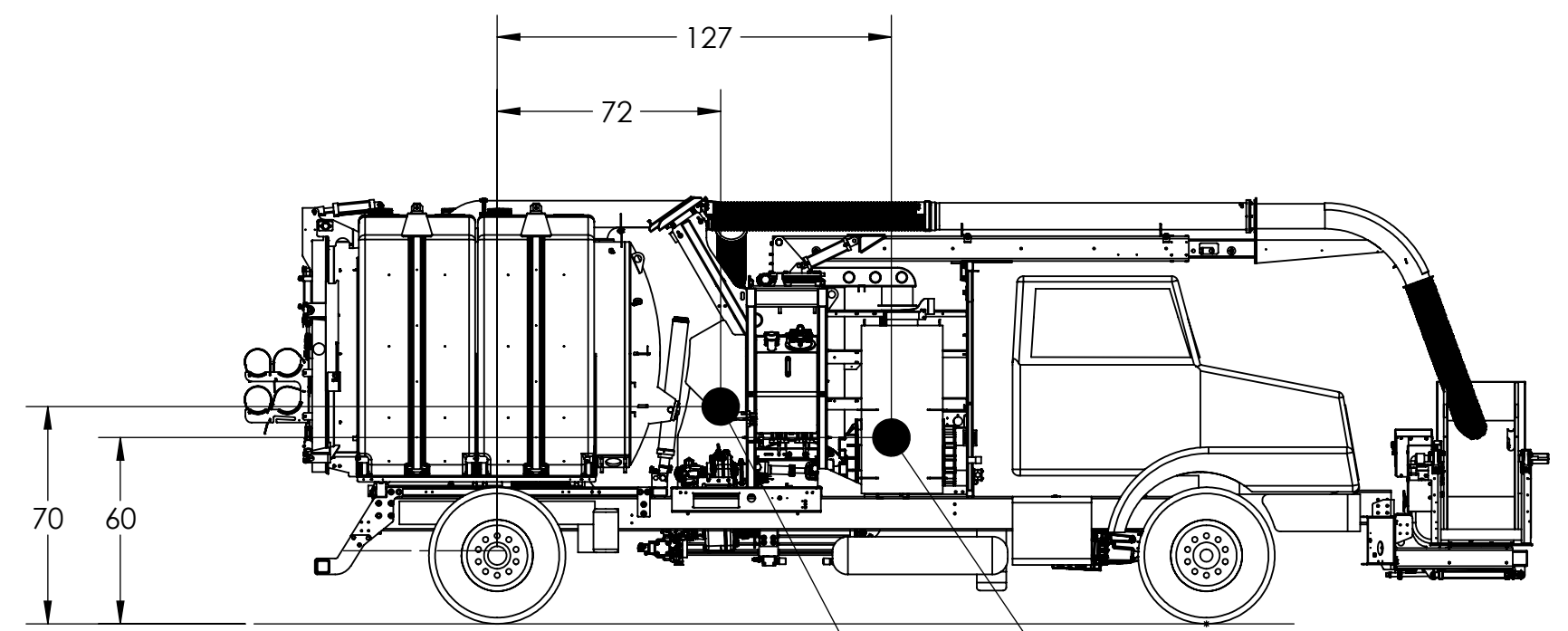
BOOM REACH

 SUPER PRODUCTS <small>TRUCK MOUNTED VACUUM EQUIPMENT</small>	
DWG. NO.	REV
0033440	A
SIZE B	SCALE: 1:64 WEIGHT: 0.00
SHEET 2 OF 3	

8 7 6 5 4 3 2 1

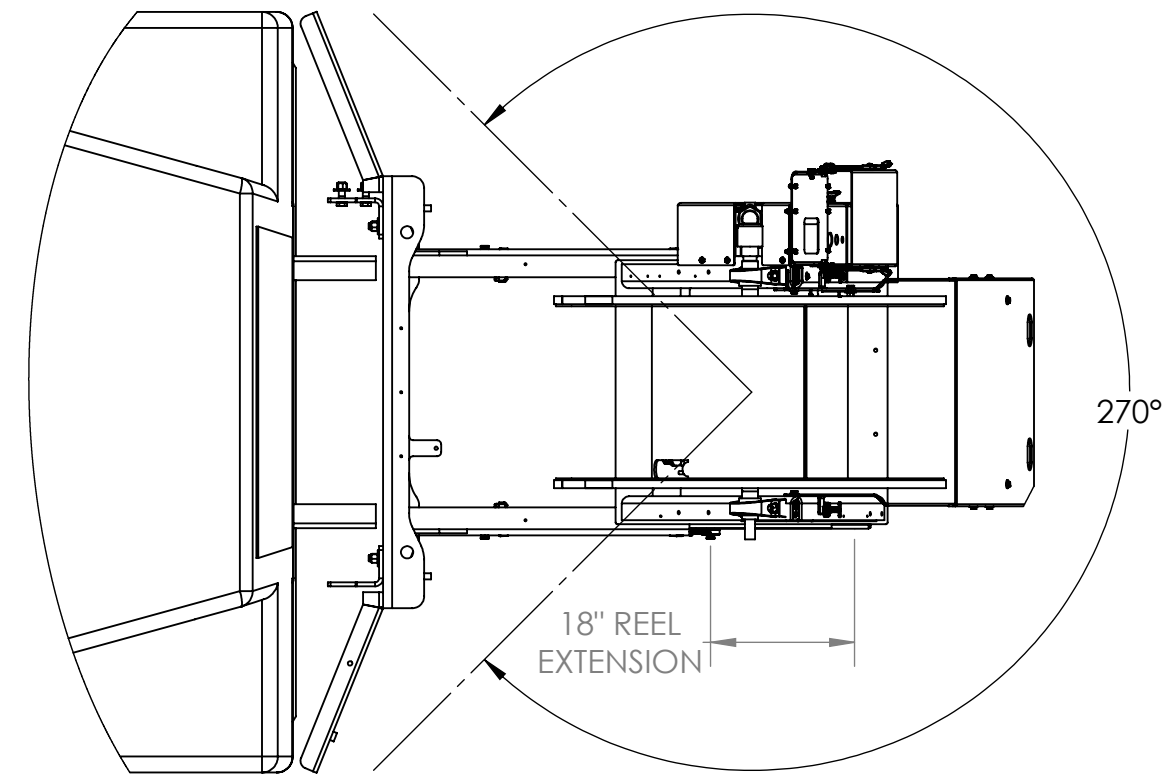
8 7 6 5 4 3 2 1

D
C
B
A



UNIT CENTER OF GRAVITY

CG - EMPTY
CG - FULL WATER TANKS,
DEBRIS BODY FULL OF WATER



REEL ROTATION

FULL ROTATION CAN BE ACHIEVED
WHEN FULLY RETRACTED

 SUPER PRODUCTS TRUCK MOUNTED VACUUM EQUIPMENT	
DWG. NO. 0033440	REV A
SIZE B	SCALE: 1:56 WEIGHT: 0.00
SHEET 3 OF 3	

8 7 6 5 4 3 2 1